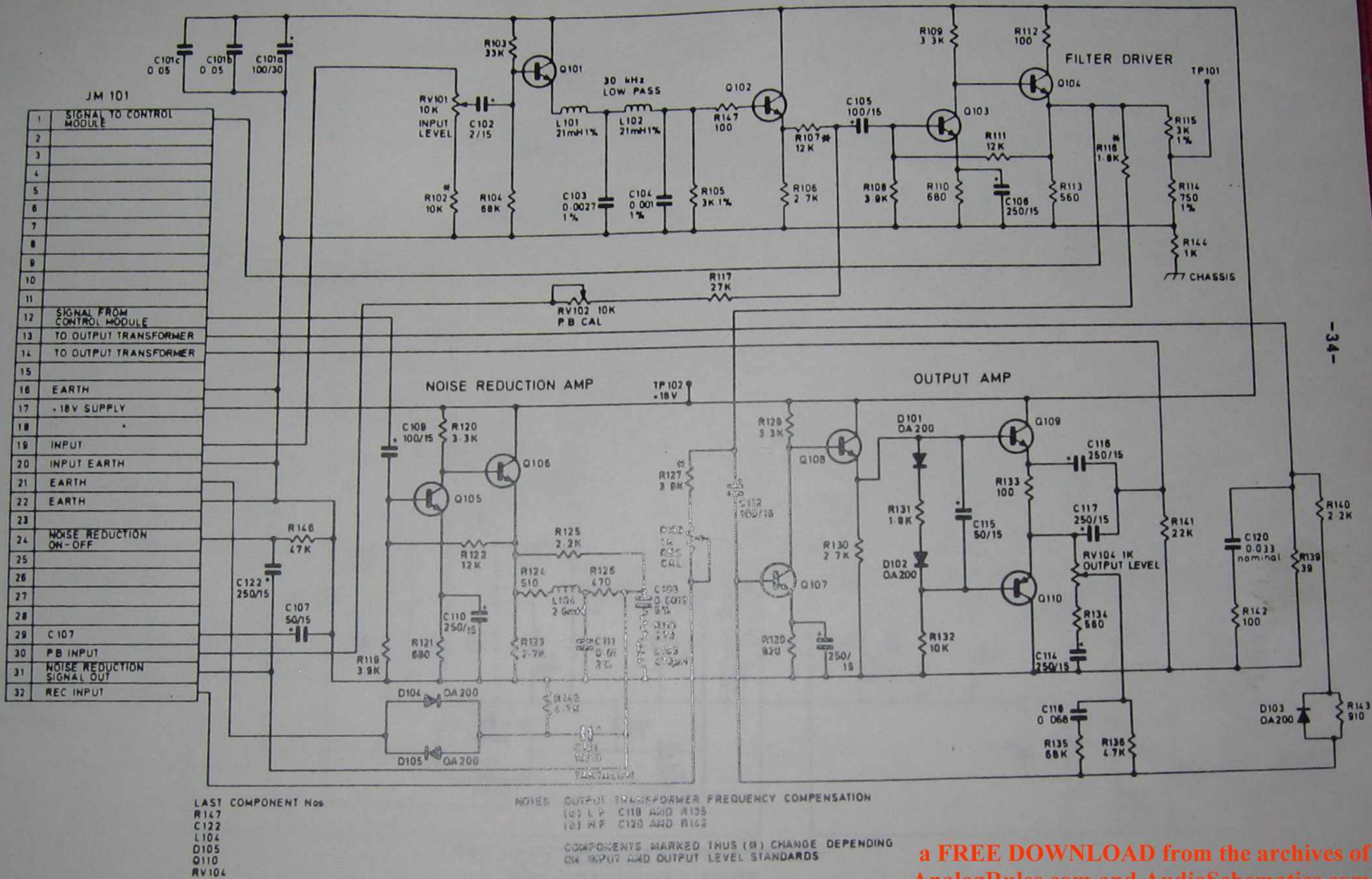


These Schematics are courtesy of

Mattias Glavå

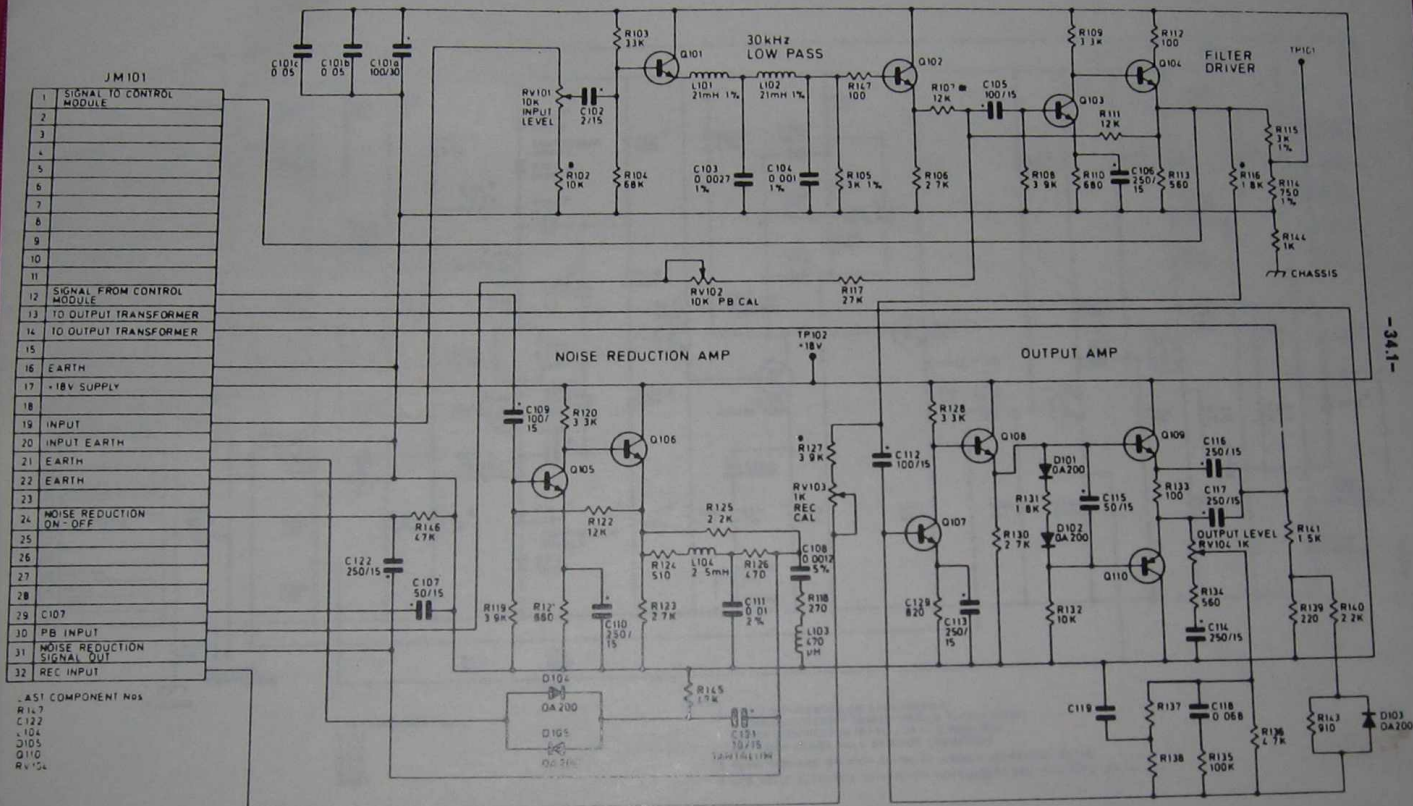
Who was kind enough to allow me
To put them up for Free
Downloads for all who want them.

Thanks Mattias!



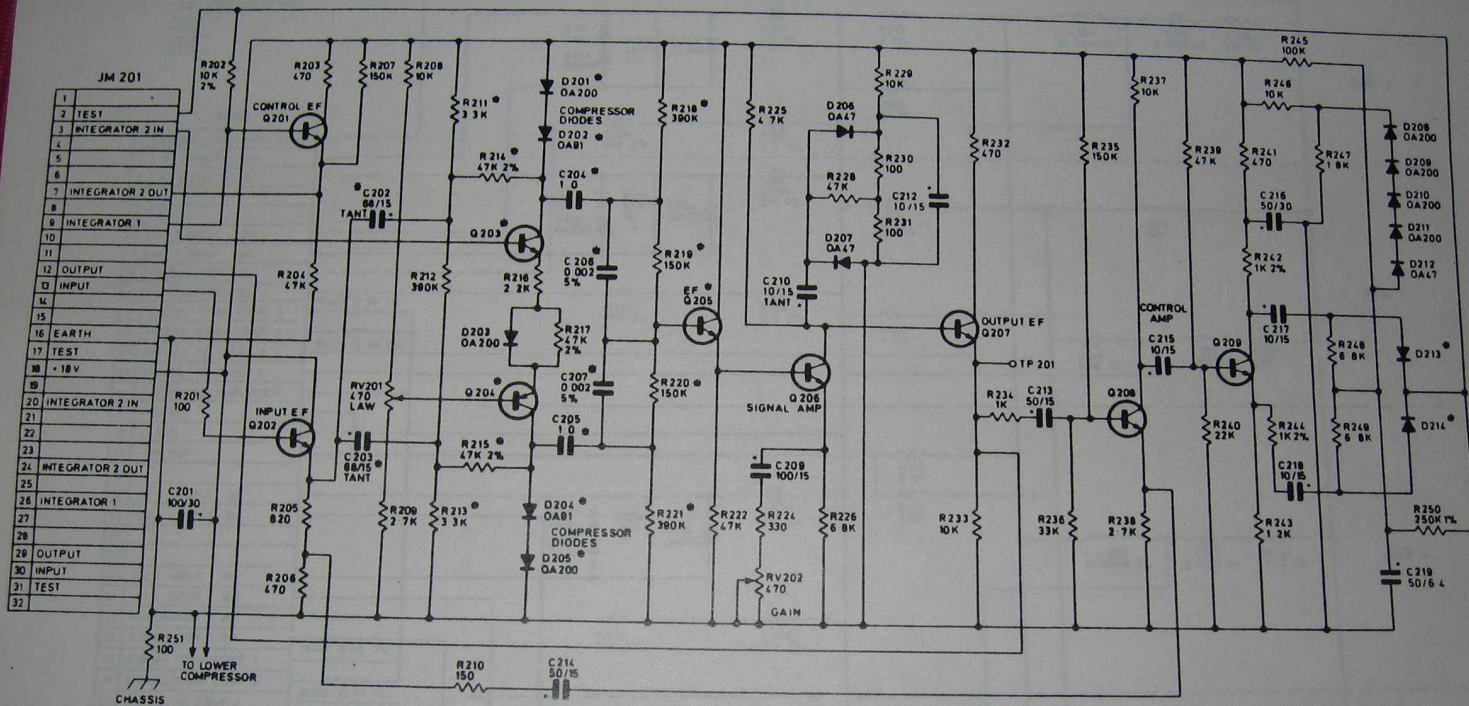
a FREE DOWNLOAD from the archives of AnalogRules.com and AudioSchematics.com

AMPLIFIER MODULE (200 AND 600ohm VERSIONS)



a FREE DOWNLOAD from the archives of
AnalogRules.com and AudioSchematics.com

AMPLIFIER MODULE (30 ohm version)

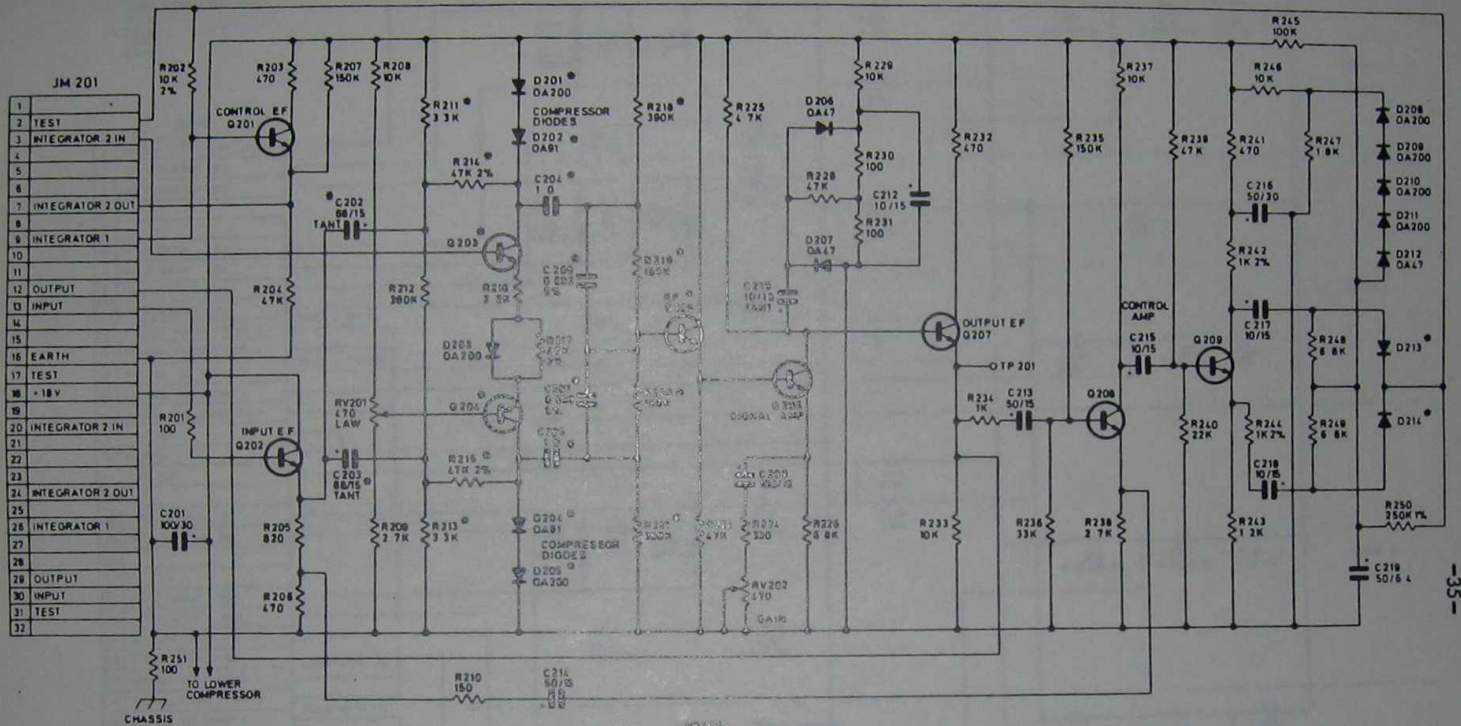


LAST COMPONENT Nos
 R 251
 C 219
 D 214
 Q 209
 RV 202

NOTES

- 1 TWO COMPRESSORS ON EACH MODULE
 UPPER COMPRESSOR (BAND 1 OR 3) IS SHOWN ABOVE
 LOWER COMPRESSOR (BAND 2 OR 4) IS IDENTICAL
 AND USES LOWER HALF OF EDGE CONNECTOR
- 2 RESISTORS ARE 5% HIGH STABILITY UNLESS OTHERWISE NOTED
- 3 SPECIALLY SELECTED OR MATCHED COMPONENTS ARE INDICATED BY ●

a FREE DOWNLOAD from the archives of
 AnalogRules.com and AudioSchematics.com



LAST COMPONENT Nos

R 251
C 218
D 214
Q 209
RV 202

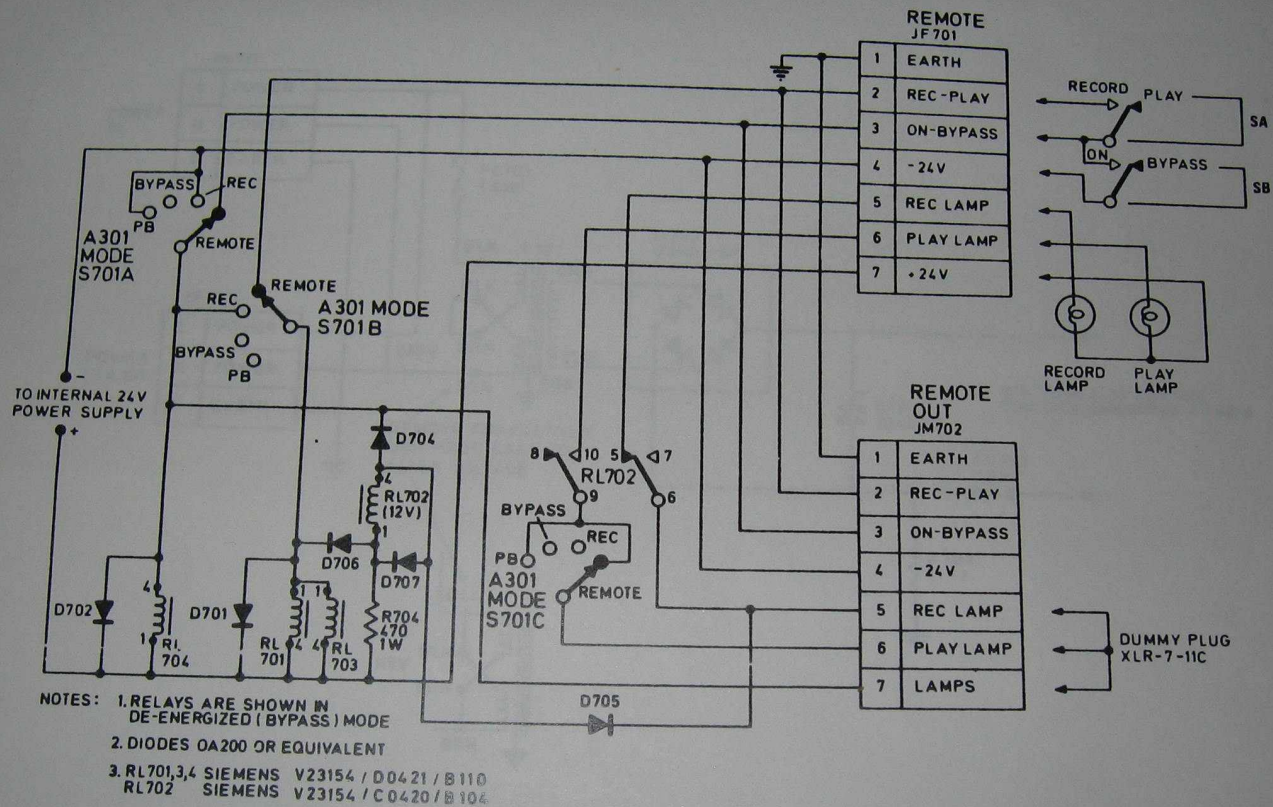
1 TWO COMPRESSORS ON EACH MODULE
UPPER COMPRESSOR (BAND 1 OR 2) IS SHOWN ABOVE
LOWER COMPRESSOR (BAND 2 OR 1) IS IDENTICAL
AND USES LOWER HALF OF EDGE CONNECTOR

2 RESISTORS ARE 5% HIGH STABILITY UNLESS OTHERWISE NOTED

3 SPECIALLY SELECTED OR MATCHED COMPONENTS ARE INDICATED BY *

a FREE DOWNLOAD from the archives of
AnalogRules.com and AudioSchematics.com

COMPRESSOR MODULE



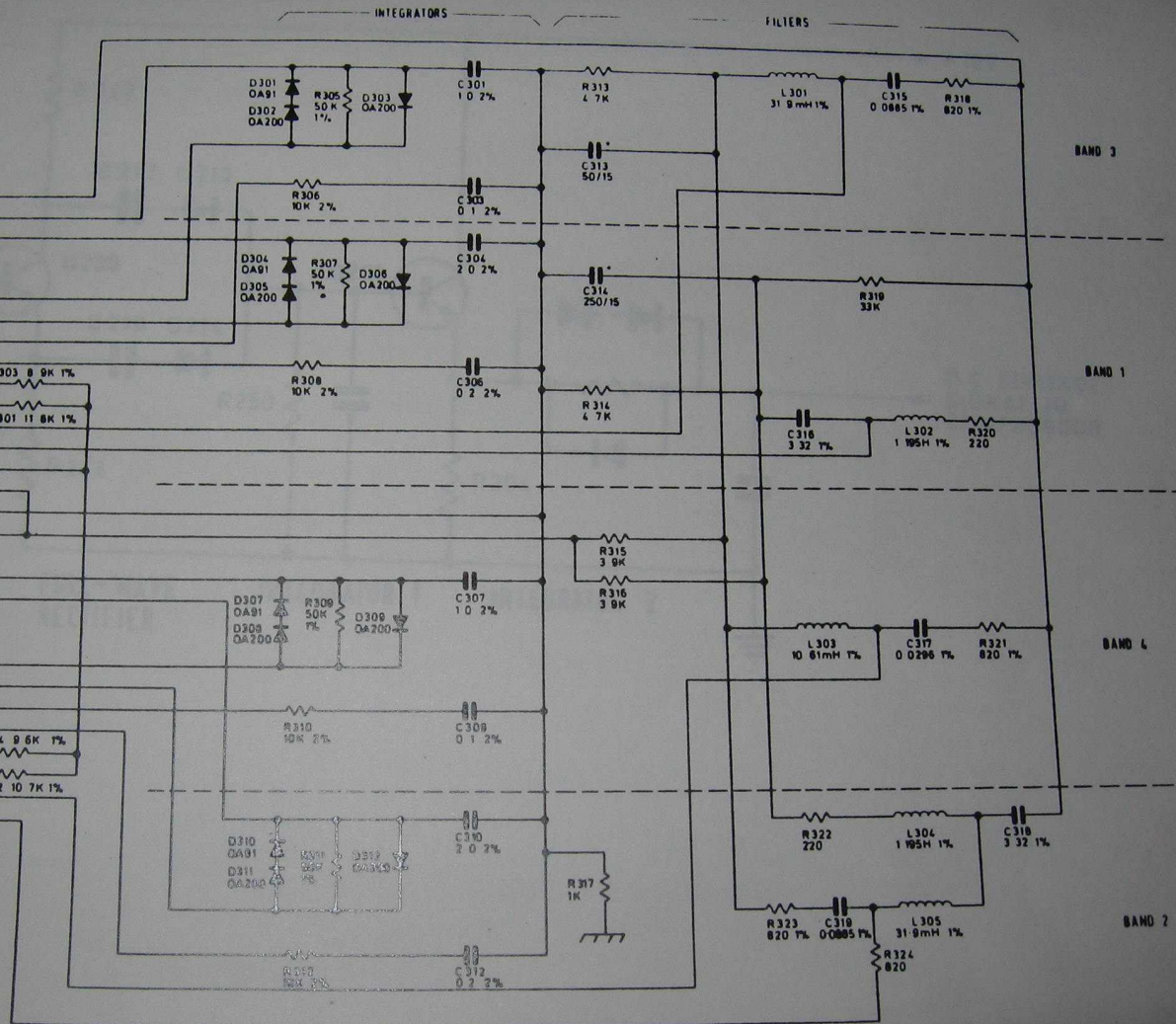
a FREE DOWNLOAD from the archives of
 AnalogRules.com and AudioSchematics.com

FIG 6 CONTROL CIRCUIT SCHEMATIC
 (one channel only)

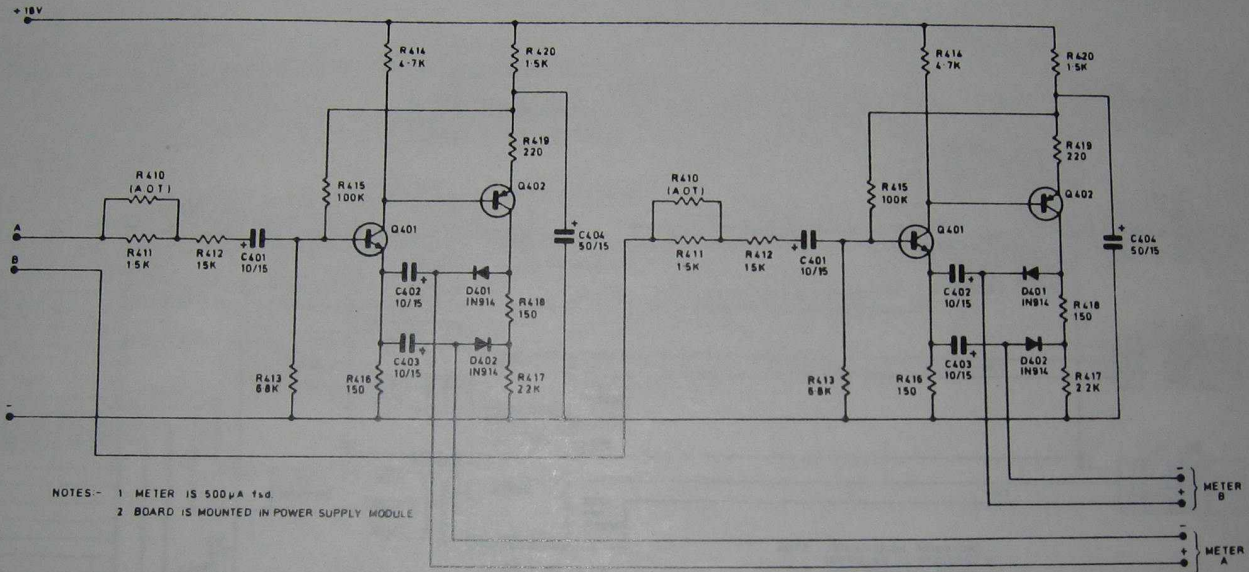
LAST COMPONENT NOS
 R 324
 C 310
 L 305
 L 305
 D 312

JM 301

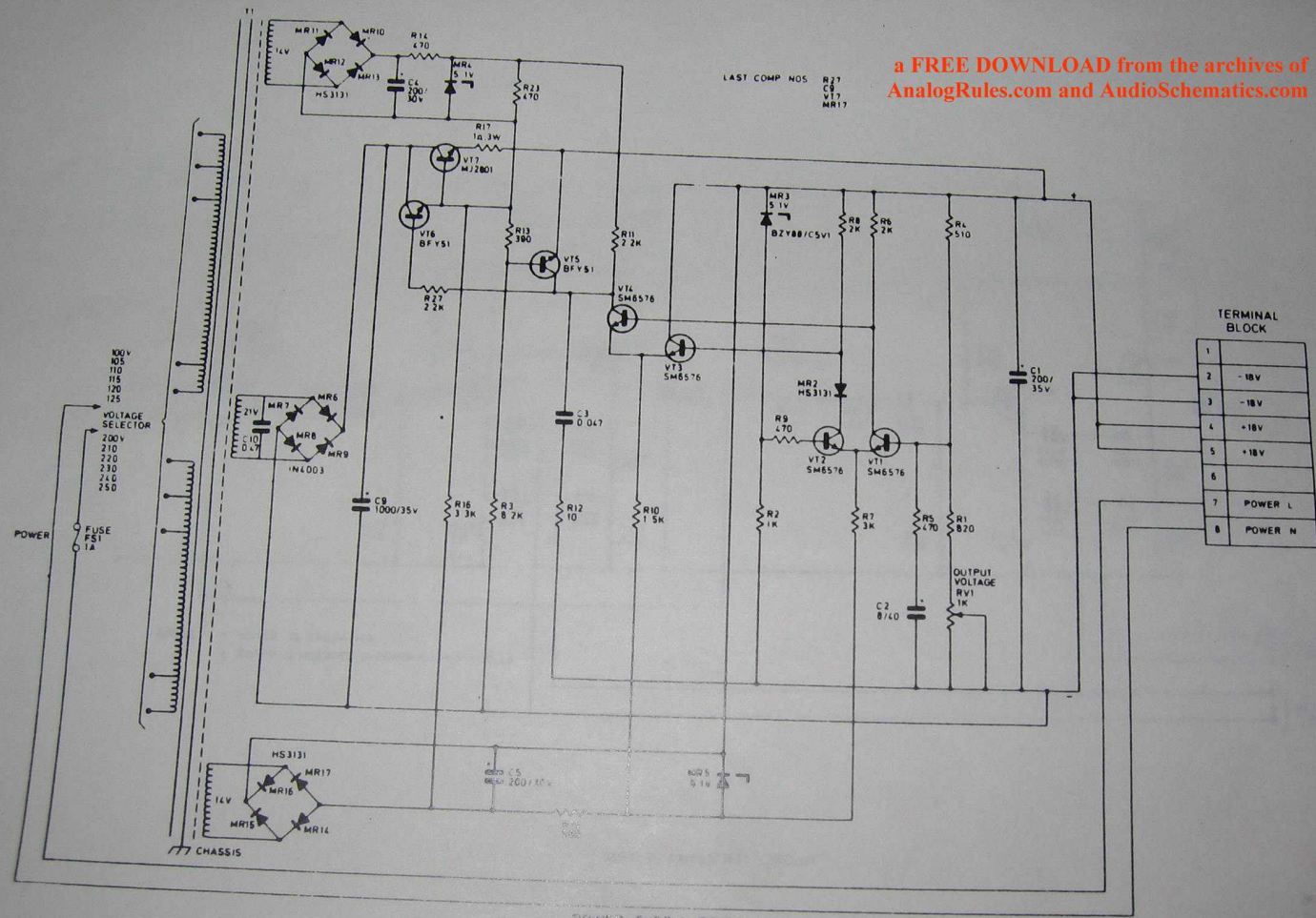
1	SIGNAL FROM AMPLIFIER
2	INT 2 OUTPUT B3
3	INT 2 OUTPUT B1
4	
5	
6	INT 2 INPUT B3
7	INT 2 INPUT B1
8	INTEGRATOR 1 B3
9	INTEGRATOR 1 B1
10	SIGNAL FROM COMP 3
11	SIGNAL FROM COMP 1
12	SIGNAL TO COMP 3
13	SIGNAL TO COMP 1
14	SIGNAL TO AMPLIFIER
15	+18V IN
16	EARTH
17	+18V OUT
18	
19	INT 2 OUTPUT B4
20	INT 2 OUTPUT B2
21	
22	
23	INT 2 INPUT B4
24	INT 2 INPUT B2
25	INTEGRATOR 1 B4
26	INTEGRATOR 1 B2
27	SIGNAL FROM COMP 4
28	SIGNAL FROM COMP 2
29	SIGNAL TO COMP 4
30	SIGNAL TO COMP 2
31	
32	



a FREE DOWNLOAD from the archives of
AnalogRules.com and AudioSchematics.com

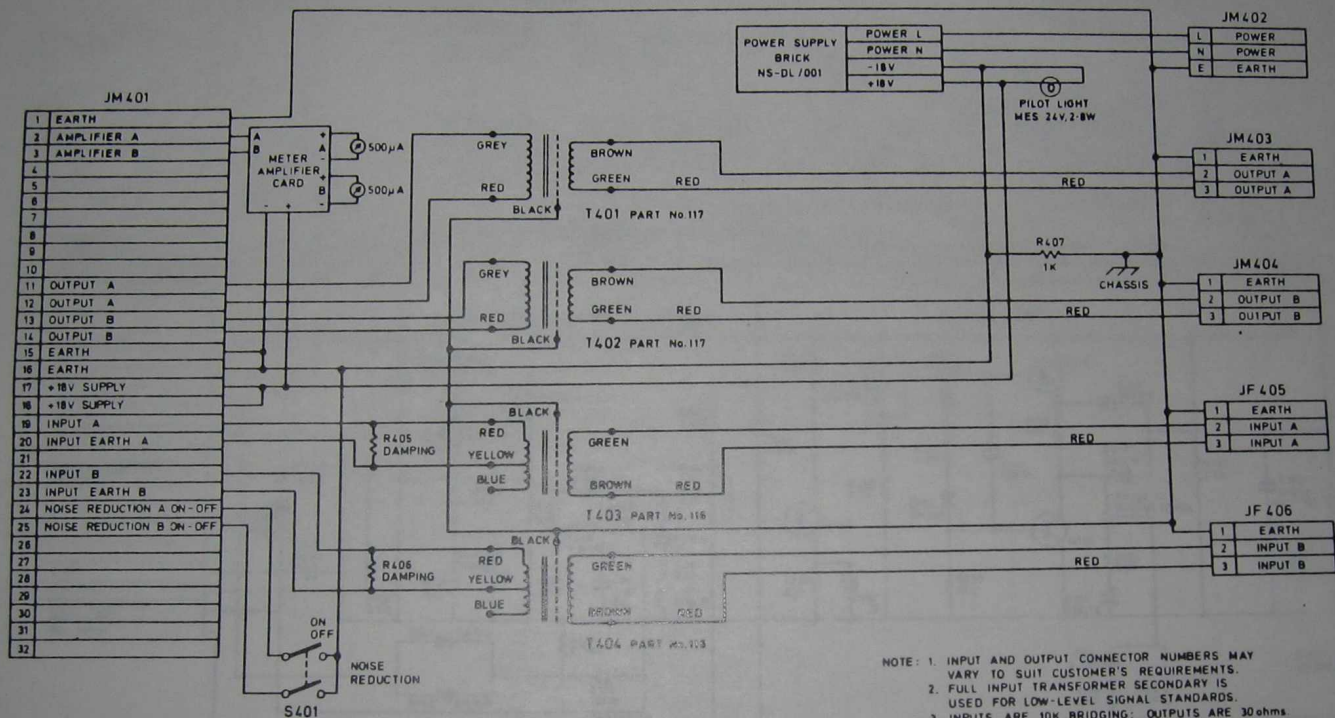


METER AMPLIFIER CIRCUIT



POWER SUPPLY BRICK
NS-04/001

a FREE DOWNLOAD from the archives of
AnalogRules.com and AudioSchematics.com



a FREE DOWNLOAD from the archives of
AnalogRules.com and AudioSchematics.com

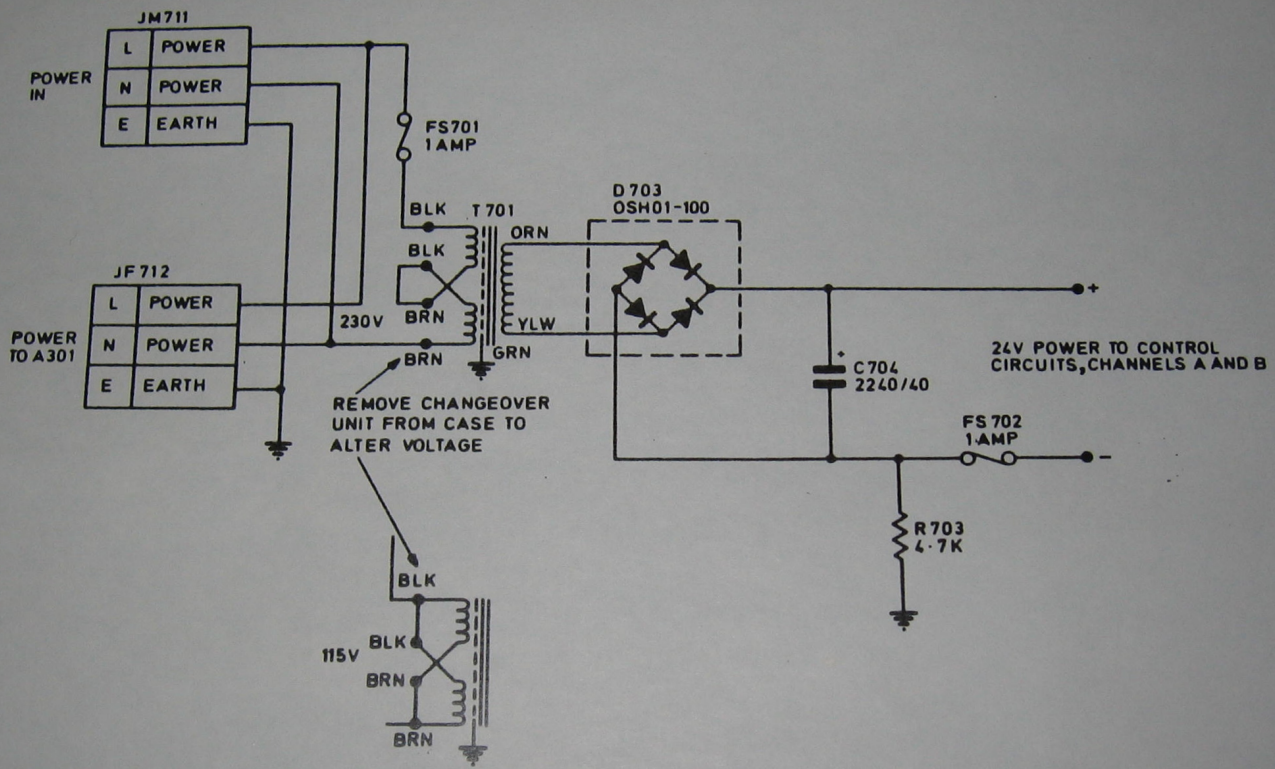
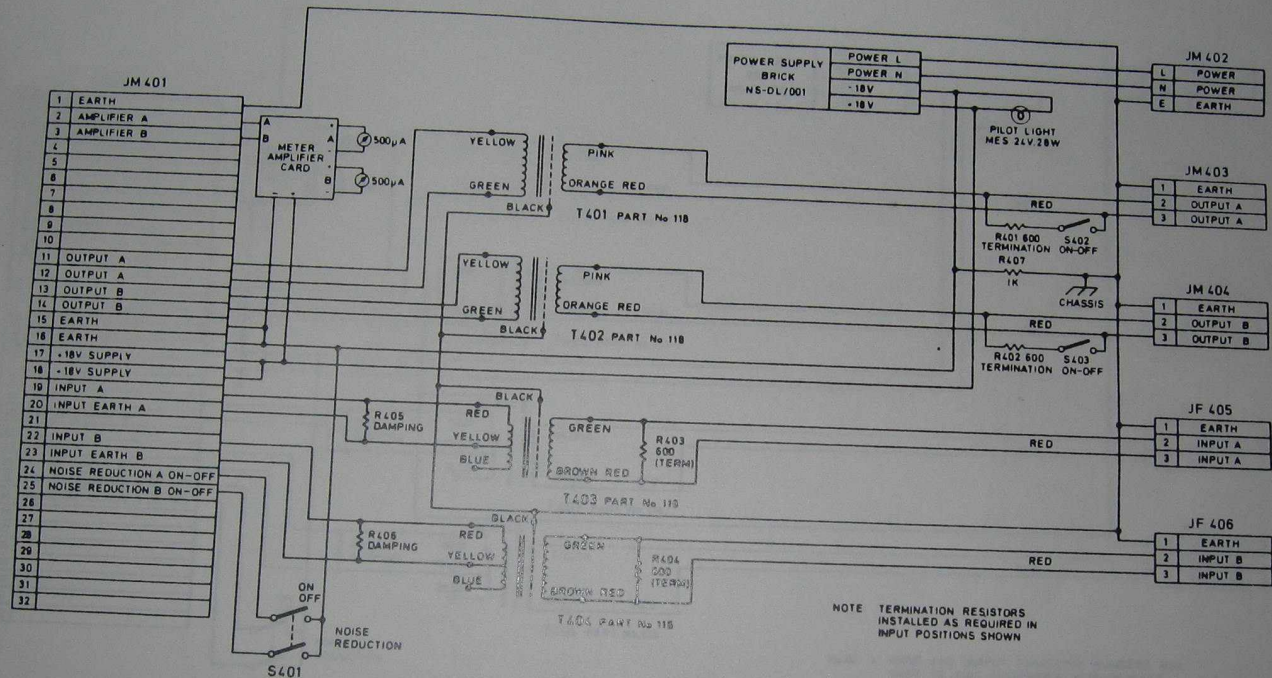


FIG.7 REMOTE CHANGEOVER POWER SUPPLY

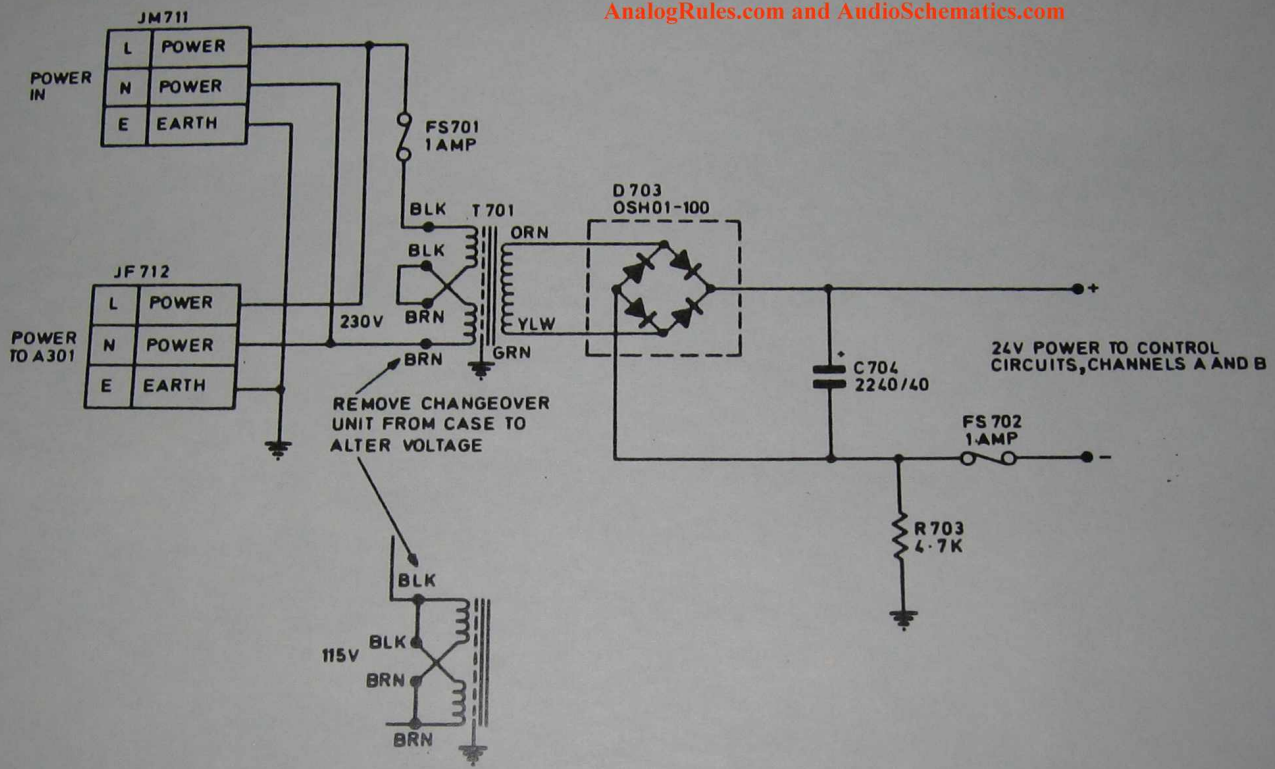


NOTE TERMINATION RESISTORS
INSTALLED AS REQUIRED IN
INPUT POSITIONS SHOWN

a FREE DOWNLOAD from the archives of
AnalogRules.com and AudioSchematics.com

POWER SUPPLY MODULE (600ohm VERSION)

a FREE DOWNLOAD from the archives of AnalogRules.com and AudioSchematics.com

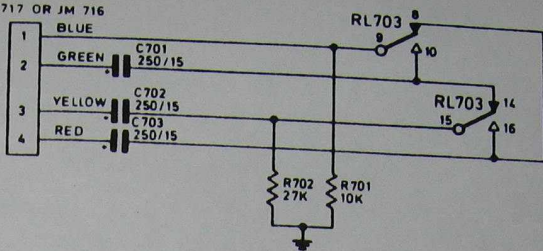


-397-

FIG.7 REMOTE CHANGEOVER POWER SUPPLY

TO A301 CONNECTORS
 (JF 511 OR JF 513)

JM 717 OR JM 716



LINE-IN
 JF 703

1	EARTH
2	LINE-IN
3	LINE-IN

TO RECORDER
 JM 705

EARTH	1
TO RECORDER	2
TO RECORDER	3

TO A301
 JM 708

EARTH	1
TO A301	2
TO A301	3

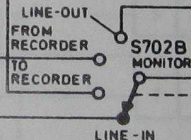
FROM A301
 JF 709

1	EARTH
2	FROM A301
3	FROM A301

-35-

TO MONITOR
 JM 707

EARTH	1
MONITOR	2
MONITOR	3



FROM RECORDER
 JF 704

1	EARTH
2	FROM RECORDER
3	FROM RECORDER

LINE-OUT
 JM 706

EARTH	1
LINE-OUT	2
LINE-OUT	3

NOTE: RELAYS ARE SHOWN IN DE-ENERGIZED
 (BYPASS) MODE.

FIG. 5 SIGNAL CONNECTIONS SCHEMATIC
 (one channel only)